

3.Connection instruction:

- 1) Connect HDMI input with HDMI output of source device.
- 2) Connect HDbiT port with HDbiT input port of HDMI extender receiver (RX).
- 3) Connect HDMI output of HDMI extender RX to HDMI input of HDTV and set the TV source input to correct HDMI input channel.
- 4) Power on the device and it works.

• Specification

Item		Description
Features	Introduction	Supports 4-channel signal inputs any matrix assignment 4 channel output
	Transfer Protocol	HDbiT
	Input	4-channel
	Output	4-channel
Power supply	Specifications	Support 100~240V Input, support both 50Hz and 60Hz
HDMI	HDMI Version	HDMI1.4
	HDCP Version	HDCP1.4
	HDMI Resolution	480i@60Hz, 480p@60Hz, 576i@50Hz, 576p@50Hz, 720p@50/60Hz, 1080i@50/60Hz, 1080p@50/60Hz, 4K×2K@24/25/30Hz
	Audio Format	R/L stereo audio
	Transmission rate	18Mbps
	TMDS	0.5~1.5Vp-p(TMDS)
	DDC	5Vp-p(TTL)
	Input Cable	≤5m(AWG26 HDMI1.4)
	OutPut Cable	≤5m(AWG26 HDMI1.4)

Operating environment	Operating temperature	0~40°C
	Storage temperature	-20~70°C
	Humidity (non-condensing)	0~95%
Machine attributes	Size	270x200x133mm
	Power Consumption	40W
	Material	Alloy + ABS
	Treatment Process	Sandblasting
	Weight	3.6KG
Reliability	Color	Black
	MTBF	>30000 hours

Disclaimer

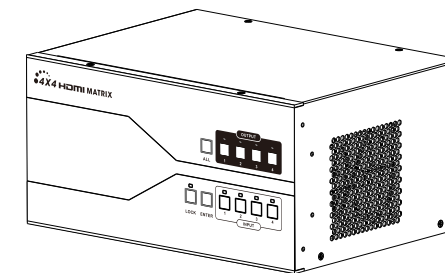
The product name and brand name may be registered trademark of related manufacturers.TM and ® may be omitted on the user manual. The pictures on the user manual are just for reference,and there may be some slight difference with the real products.

We reserve the rights to make changes without further notice to a product or system described herein to improve reliability, function or design.

4×4 HDbiT HDMI Extender Matrix

User Manual

4K×2K



• Product Introduction

This product is HDbiT 4x4 HDMI extender matrix, supports 4 HDMI signal input and 4 signal output. All inputs and outputs with board design, make the installation, operation and change inputs/outputs very convenient for customer. This matrix with a LCD screen can extend signal up to 120 meters by CAT6 network cable. It supports RS232 control, ethernet control, button set control and remote control. This matrix is perfect for exhibition center and digital monitoring system, multimedia conference, school multimedia education, etc.

• Features

1. Support 4 HDMI signal input and 4 signal output
2. Extend 4Kx2K@30Hz signal resolution up to 120 meters via CAT6 cable
3. Support HDMI extender receivers which compatible with HDbiT transport protocol
4. Support RS232 signal control
5. Support IR passback
6. Support Ethernet control
7. Compliant to HDMI and HDCP
8. Support 3U rack mount chassis case design

• Package Contents



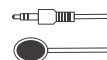
Matrix



Power cable



Remote Controller



IR blaster extension cable x4pcs



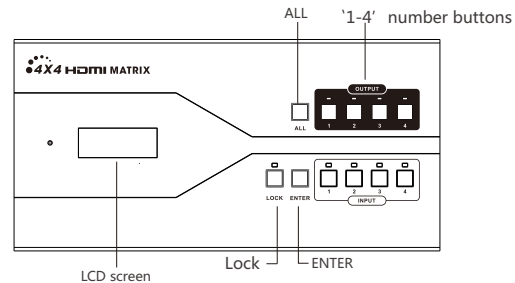
user manual

• Installation

1. Source device (like PS3, top box, PC etc. With HDMI output interface)
2. Display device (like TV, project etc. With HDMI input interface)
3. Receiver (HDMI extender receiver compatible with HDbiT transport protocol)
4. Cable (UTP/STP CAT5/5e/6 cables comply according IEEE-568B, and the suggested length of each type cable is: CAT5 80m, CAT5e 100m, CAT6 120m)

• Panel Instruction

1. Front Panel



1. LCD screen: Display the input and output signal channel
2. Signal-channel Set buttons

Guidelines for setting signal channel with the button
----Function of the buttons

- (1) "ALL" : For choosing all of the display devices which connect with the 1-4 HDbiT outputs.
- (2) "LOCK" : For locking the status of all buttons, the LED will light on under the locking-status. Press it again for unlock
- (3) "ENTER" : For confirming the channel setting
- (4) ' 1-4' number buttons: For choosing different connected source device (INPUT) or display device (OUTPUT) in need. And the LCD will show the number of the chosen signal channel

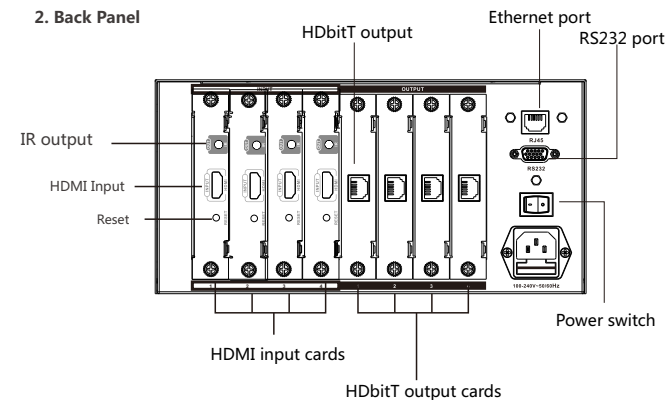
----Setting guidelines

Example: Choose number 1 input signal displays on TVs of number 1 to 2, and choose number 2 input signal displays on TVs of number 3 to 4
Follow the SETTING STEPS:

- (1) Press number 1, 2 in OUTPUT area in turn
- (2) Press number 1 in INPUT area
- (3) Press "ENTER"
- (4) Press number 3, 4 in OUTPUT area in turn
- (5) Press number 2 in INPUT area
- (6) Press "ENTER"

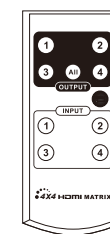
[NOTES] The setting becomes effective after pressing "ENTER" only

2. Back Panel



3. Remote Controller

This remote controller is used for choosing and setting the input and output signal channel, button "ALL" is for choosing all of the output signal channels, and button "ENTER" is for confirming the set



• Connection and Operation

1. Network cable

Follow the standard of IEEE-568B:

- | | | |
|-----------------|---------------|----------------|
| 1- Orange/white | 2- Orange | 3- Green/white |
| 4- Blue | 5- Blue/white | 6- Green |
| 7- Brown/white | 8- Brown | |



2. Connection

